

RESILIENT SEALING GATE VALVES



RESILIENT SEALING GATE VALVES



HANYCO
HAMOUN NYZEH CO.

No. 28, 3rd. st., Shaghayegh blvd., Kashani ave., 1483877631 Tehran Iran Tel: +982144009812-13 Fax: +982144009610

www.hanyco.ir sales@hanyco.net



HANYCO
HAMOUN NYZEH CO.



Resilient Sealing Gate Valves

Hamoun Nyzeh (HANYCO) is manufacturer of ductile iron pipes and fittings, with the approach of producing and supplying pipes and fittings for water and wastewater projects, from DN 80 to DN 1200 mm in diameter, with a nominal production capacity of 120,000 tons annually. The new product of Hanyco is Ductile Iron Resilient Wedge Gate Valves with the following specifications produced by the "Lost Foam Casting" process in a fully automatic production line.

- Nominal size DN (50-80-100-200)
- Working pressure PN 10/16 bar



Resilient Wedge Gate Valves Applications

The Hanyco butterfly valve can be used for wide range of applications including raw, cooling and drinking water up to 120°C and air conditioning facilities to isolate or regulate of the water flow. Thanks to numerous material options for the valve's disc and seal, special application cases can also be realized without any problems. They are available in nominal sizes from DN50 to DN200 with Working Pressure 10/16 bar. The use of butterfly valves on transmission lines as a flow controller is not permitted and must be fully open or fully closed. The design of the valve is such that the disc is fully centered in the open position and provides the best conditions for the flow with the lowest pressure loss. This valve is suitable for installation between flanges which prepared accordance with DIN EN 1092-2 and operating pressure up to 16 bars.

Special Features

- Licensed based on Iranian standard mark application INSO 3363
- Valve design based on the BS EN 1171
- Valves flanges face to face based on the DIN EN 558-1 Series 14 (DIN 3202-F4)
- Valves flanged dimensions according to DIN EN 1092-2
- Capability of electric actuator installation on the valve
- Ease of opening and closing of the valve and complete sealing in closing time
- Capability to install in all directions (horizontal, vertical and angular)
- Maintenance free
- Performance tests and Inspection according to EN 12516-3



Hydrostatic tests according to DIN EN 12266 -1 & ISO 5208		
PN (bar)	Hydrostatic Pressure (bar)	
	Body	Seat
10	17	11
16	25	18

Pressure loss coefficient of rubber wedge gate valves in case of fully open valve as described below:

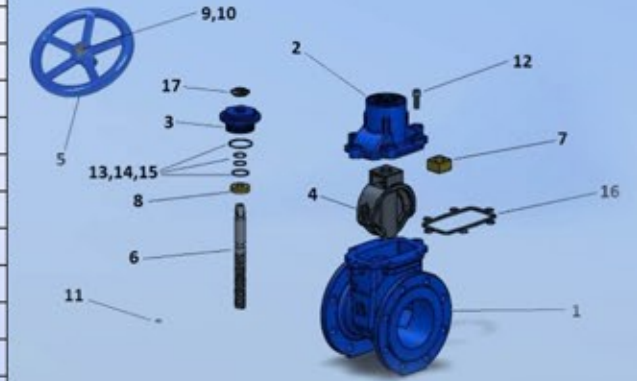
All interior and exterior surfaces of the valves body are coated by electrostatic pure epoxy resin coating (RAL 5005 or RAL 5015), Layer thickness at least 250 µm and certified by reputable international organizations for use in drinking water.

DN	50	80	100	200
K	0.19	0.18	0.17	0.12

Materials and Dimensions

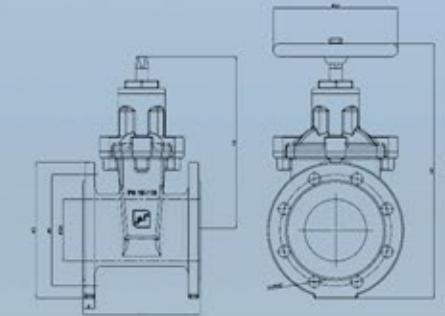
Item Number	Component	Material / Standard	Spare Part
1	Body	*EN-GJS-15-400	
2	Bonnet	*EN-GJS-15-400	
3	Gland (Nut)	*EN-GJS-15-400	
4	Wedge	EN-GJS-15-400	+
5	Hand Wheel	EN-GJS-15-400	
6	Stem	1.4021(X20Cr13)	+
7	Stem Nut	ZCuZn38Mn2Pb2	+
8	Split Bush	ZCuZn38Mn2Pb2	
9	Bolt	DIN 933, Zinc Plated	
10	Flat Washer	ISO-7089/DIN-125, Zinc Plated	
11	Spring Washer	DIN 127 TYPE B, Zinc Plated	
12	Allen Screw	DIN-912/ISO-898, Zinc Plated	
13	O-ring	EPDM/NBR	+
14	O-ring	EPDM/NBR	+
15	O-ring	EPDM/NBR	+
16	Bonnet Gasket	EPDM/NBR	+
17	Packing	EPDM/NBR	

*EN-GJS-500-7 is available based on request



ØDN mm	PN bar	L** mm	ØD* mm	ØK* mm	n*	Ød2* mm	b* mm	H1 mm	H2 mm	d1Ø mm	Weight Kg
50	10/16	150	165	125	4	19	19	194	277	180	10
80	10/16	180	200	160	8	19	19	220	320	200	15
100	10/16	190	220	180	8	19	19	278	412	240	18
200	10	230	340	295	8	23	20	470	640	360	62
	16				12						

*DIN EN 1092-2 (DIN 2501) **DIN EN 558-1



Resilient wedge valve for ductile iron pipes

Due to it produces by lost foam casting technology, it is possible to offer this product in a wide variety of types, such as double socket valve, flange socket valve and etc.

Also, it can be produced to connect with different kind of Bends (in different angles) or Tapers based on customer request.



Resilient wedge valve compatible with low thickness Ductile iron pipes

To achieve more information about Resilient wedge valve compatible with low thickness Ductile iron pipes, please contact with hanyco technical department.

